

Mirabelle®

CARRAWAY COLLECTION

TWO-PIECE HIGH EFFICIENCY TOILET WITH SKIRTED BOWL

Product Codes:

MIRCR240SWH - elongated bowl (white)

MIRCR200WH - tank (white)

- Vitreous china construction
- 1.28 gpf HET, High efficiency toilet
- EPA WaterSense certified
- Uses 20% less water than standard low-consumption toilets
- ADA-compliant 16-1/2" high bowl with slow close seat and cover
- 12" rough-in
- 2-1/4" fully glazed trapway with high performance 3" flush valve
- Includes polished chrome trip lever
- Supply not included
- 100% factory flush tested
- Installation, operating, care and maintenance instructions included
- 1 year limited warranty
- Meets ASME Standard: A112.19.2 / CSA B45.1-2013
- Meets ANSI A117.1 / ADA Guidelines
- cUPC / IAPMO listed
- Recommended accessories
MB428BN - Flush lever, BN
MB428PN - Flush lever, PN
MB428ORB - Flush lever, ORB



See dimensional drawing on next page

© 2017 Ferguson Enterprises, Inc. 0217 405974



Mirabelle®

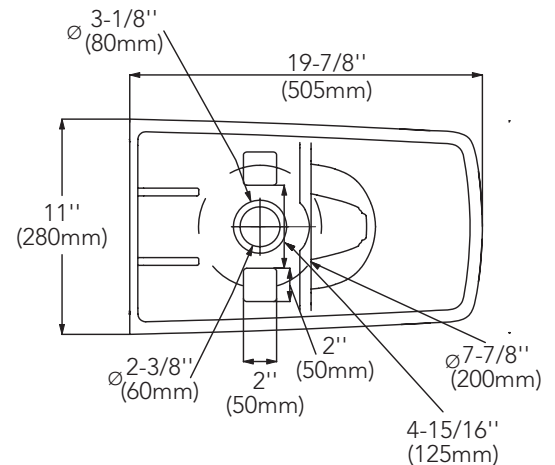
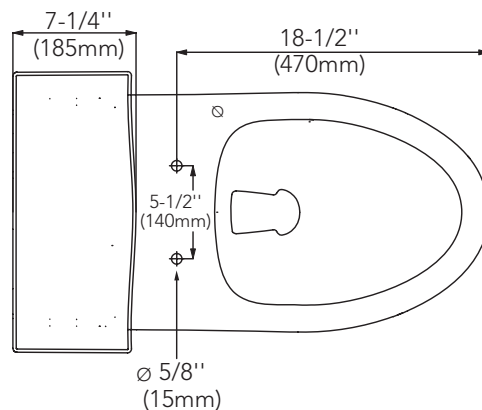
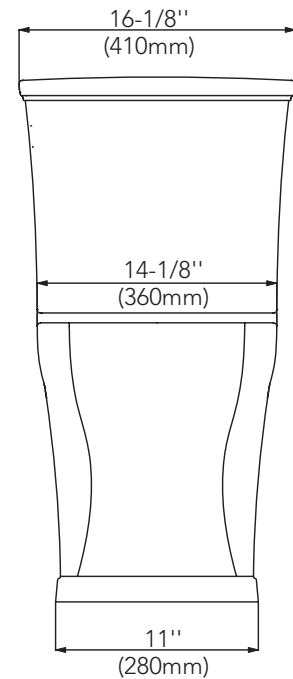
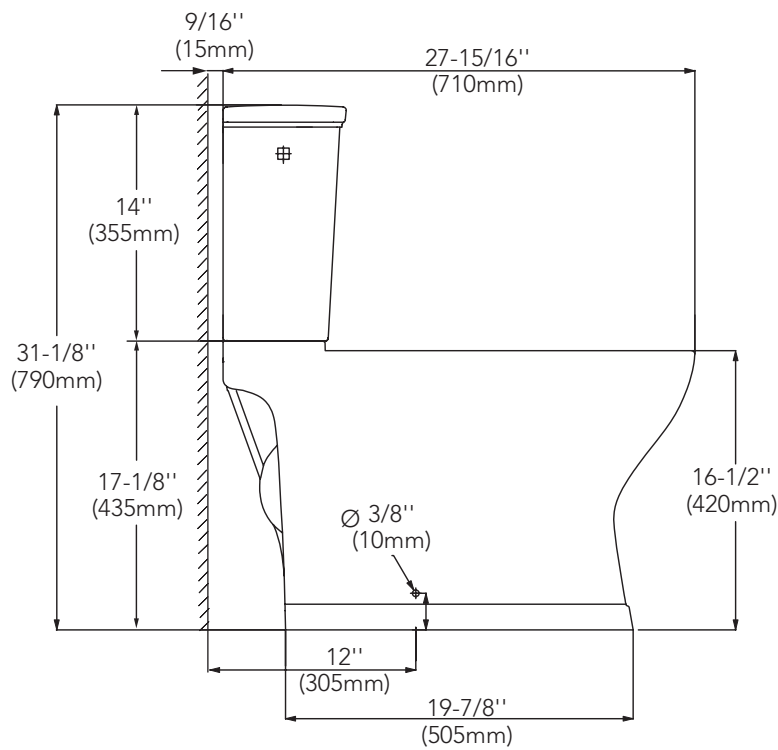
CARRAWAY COLLECTION

TWO-PIECE HIGH EFFICIENCY TOILET WITH SKIRTED BOWL

Product Codes:

MIRCR240SWH - elongated bowl (white)

MIRCR200WH - tank (white)



Note: All dimensions and specifications are nominal and may vary: Dimensions of 8" and greater have a tolerances of +3%. Dimensions less than 8" have a tolerances of +5%.