

Mirabelle®

## TOILET SEATS

---

### ELONGATED FRONT SLOW CLOSE

**Product Codes:**

MIRTSSC201WH – elongated front slow close seat (white)

MIRTSSC201BS – elongated front slow close seat (biscuit)

- Heavy weight molded solid plastic
- Closed front with cover
- Molded in color matched bumpers
- Patented dampening hinge system
- Corrosion proof hardware
- Slip resistant pads with variable positioning washers
- Conforms to ANSI Z124.5



See dimensional drawing on back

©2012 Ferguson Enterprises, Inc. All Rights Reserved 13994 12/12

# Mirabelle®

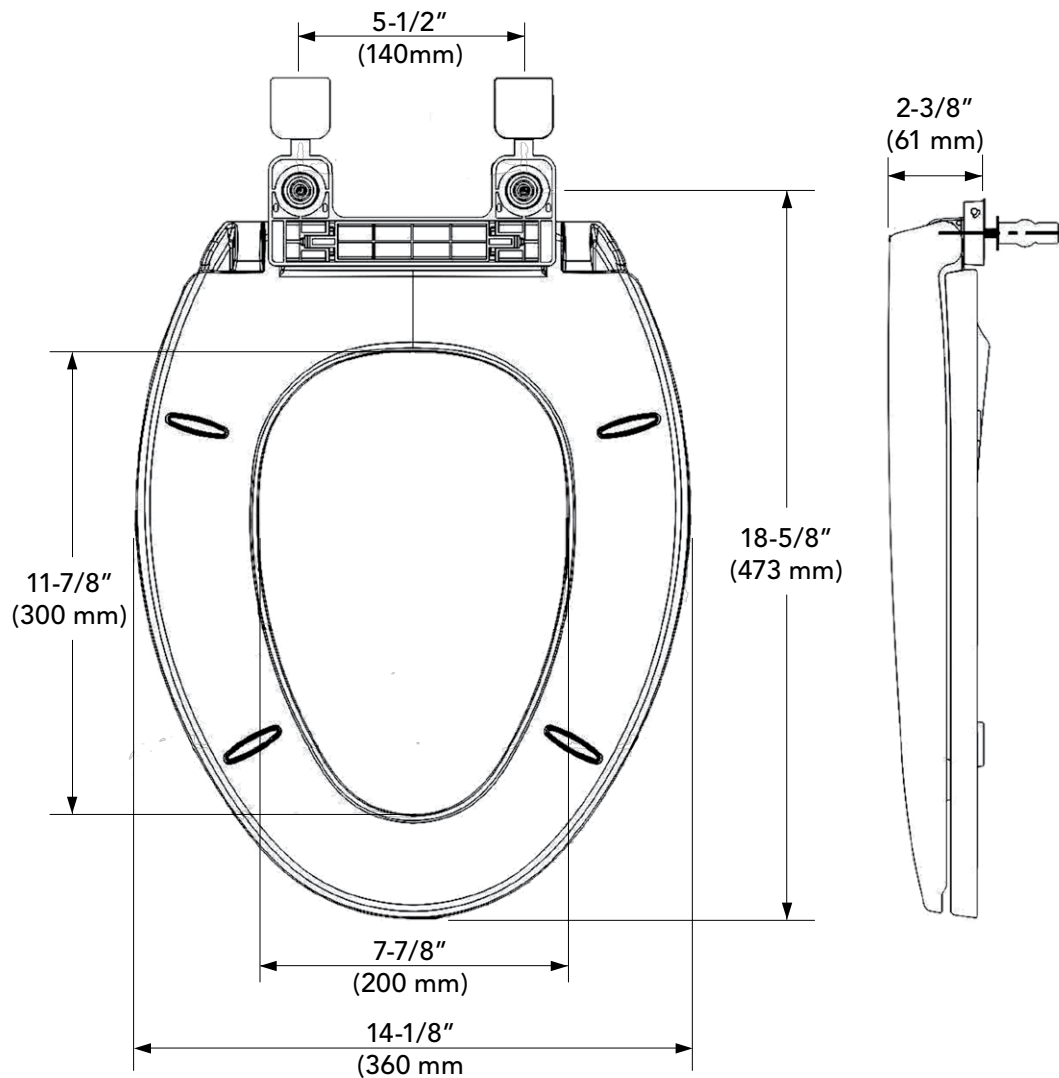
## TOILET SEATS

### ELONGATED FRONT SLOW CLOSE

Product Codes:

MIRTSSC201WH – elongated front slow close seat (white)

MIRTSSC201BS – elongated front slow close seat (biscuit)



Note: All dimensions and specifications are nominal and may vary +/- 1/4". Use actual products for accuracy in critical situations.