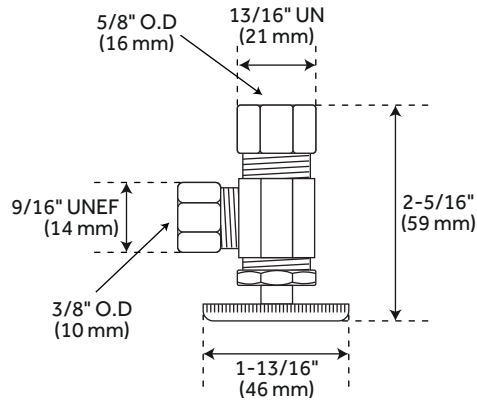
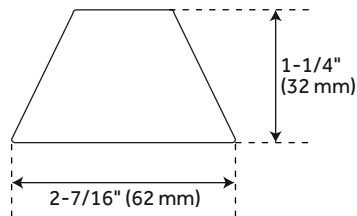
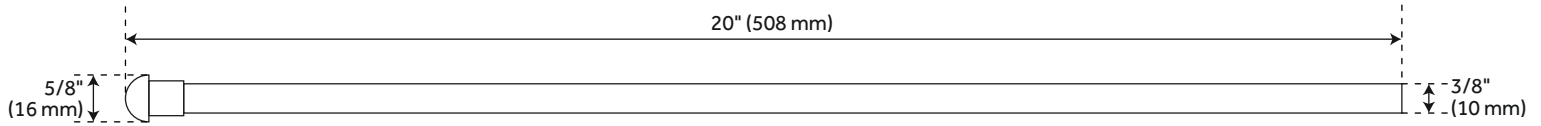


BATHROOM SUPPLY KIT

WITH 5/8" OD X 3/8" OD ANGLE STOP

SKU: 948023



FEATURES

- 5/8" (15.87mm) O.D. x 3/8" (9.52mm) O.D. Angle Stop (2)
- 3/8" (9.52mm) x 20" (508mm) Bullnose Supply Tube (2)
- 5/8" (15.87mm) O.D. Sure Grip Flange
- Flange Diameter (Outside): 2-7/16"
- Flange Height: 1-1/4"

CODES/STANDARDS

- cUPC
- ASME A112.18.1/ CSA B125.1
- NSF/ANSI 61
- NSF/ANSI 372
- Massachusetts Accepted

SIGNATURE HARDWARE LIFETIME WARRANTY

See website for warranty information



All dimensions and specifications are nominal and may vary. Use actual products for accuracy in critical situations.

REVISED 07/18/2019
CODE: SH231MB