

HIBISCUS

RECTANGULAR ACRYLIC FREESTANDING TUB

SKU: 948058



FEATURES

- Product Finish: White
- Features: Integral Drain & Overflow
- Overflow Hole: Yes
- Integral Drain & Overflow : Yes
- Shape: Rectangle
- Material: Acrylic
- Drain Included: Yes
- Drain Placement: Center
- Faucet Included: No
- All dimensions ($\pm 1/2"$).
- White Pop-Up drain included.
- Textured slip-resistant bottom.
- Leveling legs for simplified installation.
- Removable access panel for tub mount faucet installation.

SIGNATURE HARDWARE Lifetime Warranty

See website for detailed warranty information.

CONTENTS

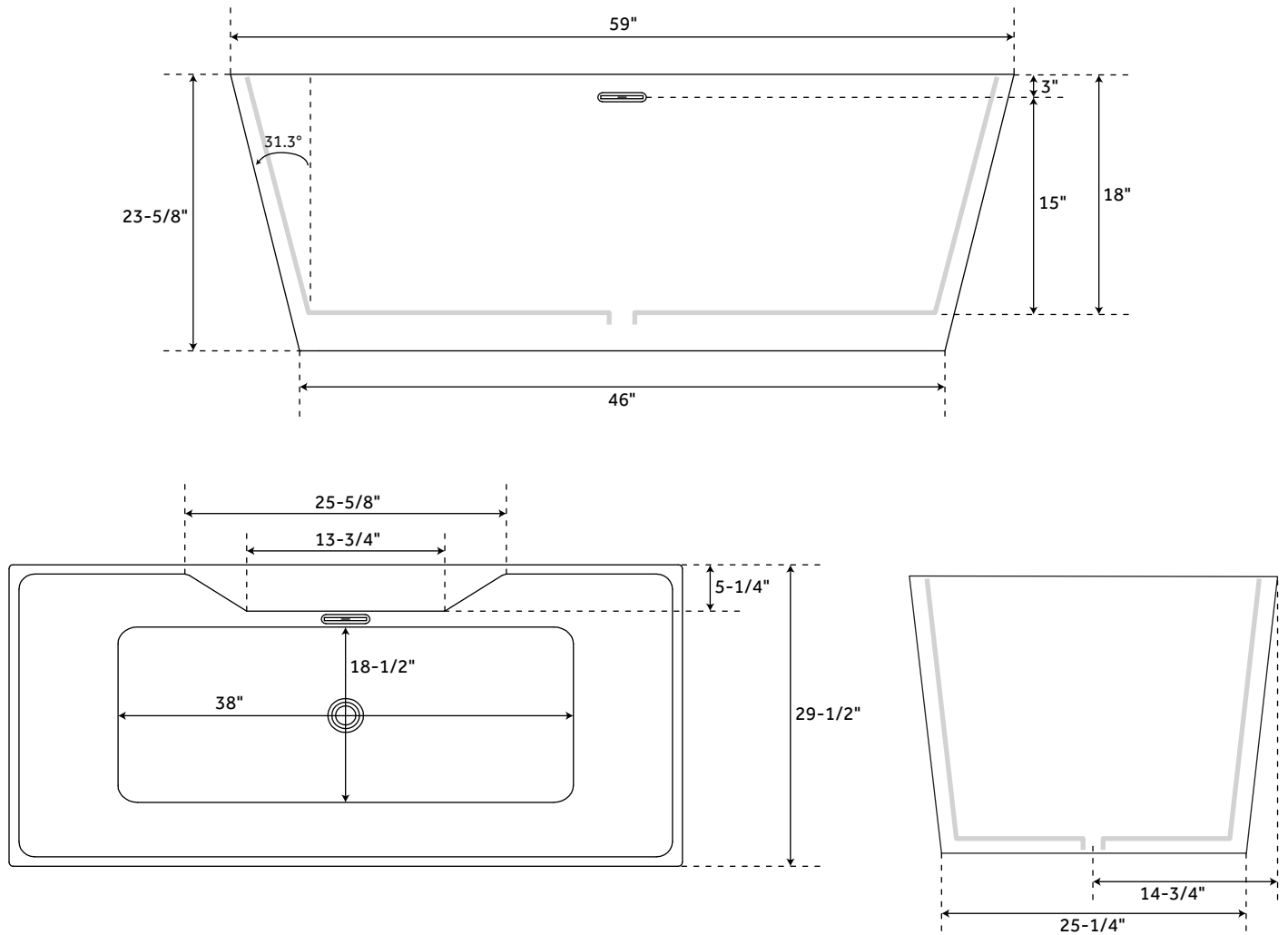
- 59" TUB PAGE 2
- 67" TUB PAGE 3

REVISED 01/15/2020

59" HIBISCUS

RECTANGULAR ACRYLIC FREESTANDING TUB

SKU: 948058



FEATURES

- Product Finish: White
- Features: Integral Drain & Overflow
- Overflow Hole: Yes
- Integral Drain & Overflow : Yes
- Shape: Rectangle
- Material: Acrylic
- Length: 59"
- Width: 29-1/2"
- Height: 23-5/8"
- Tub Interior Length: 38"
- Tub Interior Width: 18-1/2"
- Tub Slope: 31.3°
- Water Depth To Overflow: 15"
- Drain Included: Yes
- Faucet Included: No
- Water Capacity (Gallons) to Overflow: 62
- Tub Weight Uncrated (lbs): 114
- Tub Weight Crated (lbs): 224

CODES/STANDARDS

- cUPC
- CSA B45.5/IAPMO Z124
- Massachusetts Accepted



SIGNATURE HARDWARE LIFETIME WARRANTY

See website for warranty information



All dimensions and specifications are nominal and may vary. Use actual products for accuracy in critical situations.

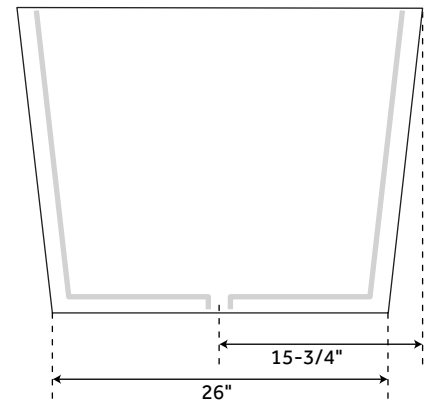
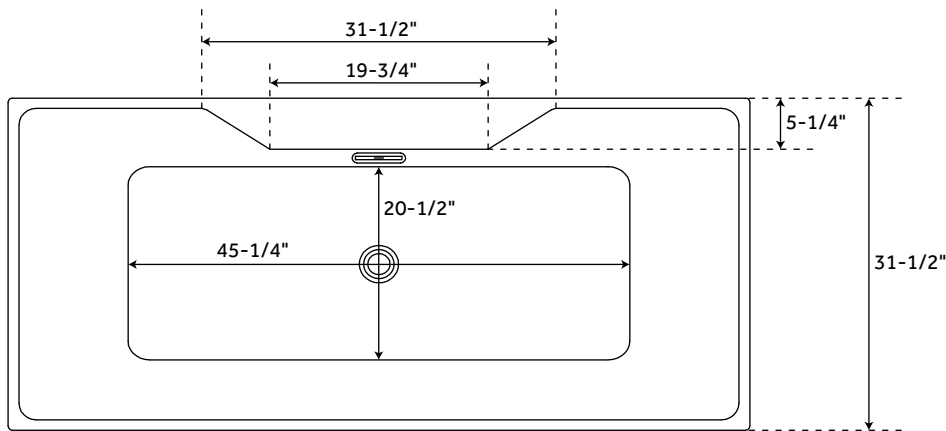
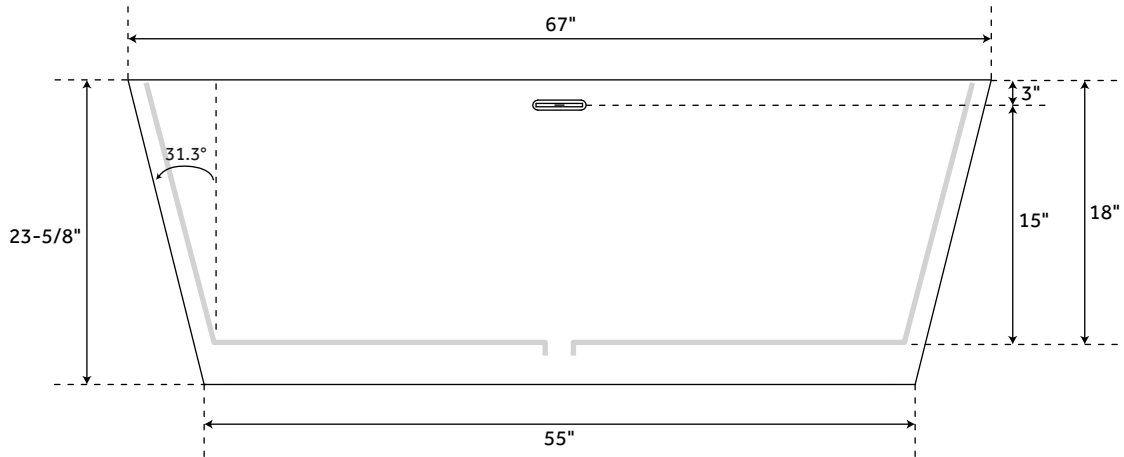
Page 2

CODE: SHHBFSR5930WH

67" HIBISCUS

RECTANGULAR ACRYLIC FREESTANDING TUB

SKU: 948058



FEATURES

- Product Finish: White
- Features: Integral Drain & Overflow
- Overflow Hole: Yes
- Integral Drain & Overflow : Yes
- Shape: Rectangle
- Material: Acrylic
- Length: 67"
- Width: 31-1/2"
- Height: 23-5/8"
- Tub Interior Length: 45-1/4"
- Tub Interior Width: 20-1/2"
- Tub Slope: 31.3°
- Water Depth To Overflow: 15"
- Drain Included: Yes
- Faucet Included: No
- Water Capacity (Gallons) to Overflow: 79
- Tub Weight Uncrated (lbs): 112
- Tub Weight Crated (lbs): 222

CODES/STANDARDS

- cUPC
- CSA B45.5/IAPMO Z124
- Massachusetts Accepted



SIGNATURE HARDWARE LIFETIME WARRANTY

See website for warranty information



All dimensions and specifications are nominal and may vary. Use actual products for accuracy in critical situations.

Page 3

CODE: SHHBFSR6731WH