

# 60" x 32" PROVINCETOWN

## ACRYLIC ALCOVE TUB

SKU: 948061



### CONTENTS

AIR & WHIRLPOOL TUB .....	PAGE 2
60" X 32" TUB .....	PAGE 3

### FEATURES

- Integral arm rests.
- Textured slip-resistant bottom.
- Pre-leveled base.
- Cut out template included.
- 75-gallon (284-Liters) operating capacity.
- Intuitive electronic control pad.
- Tub Options:
  - Soaking - No air feature.
  - Air - 65 Air jets circulate warm air throughout the tub, creating warm bubbles for a massaging, rejuvenating experience.
  - Whirlpool - 8 Strategically placed air jets move water with increased pressure for an invigorating bathing experience.
  - Total Massage: A combination of air and whirlpool systems that creates a spa-like experience of ultimate relaxation and targeted massage.
  - Air Bath system uses a 7.5 amp, 600 watt heated blower for air bath system.
  - Whirlpool system uses a powerful 1.75hp, 10.9 amp whirlpool pump.
- Safety Suction meets all requirements of durability and clog-resistance through standard testing.
- ABS drain version available if needed for your installation.
- Optional Quick Connect Drop-In Drain Kit Includes:
  - Floor Plate, 1-1/2" PVC Pipe, 2" x 1-1/2" Trap Adapters, 1 Brass Threaded, 1 Brass Unthreaded Tailpiece and Plug.
- Installs above your subfloor, but underneath your cement floor or tile, so you do not need access below the fixture.

### SIGNATURE HARDWARE Lifetime Warranty

See website for detailed warranty information.

REVISED 01/15/2020

CODE: SHPRA6032LWH/SHPRA6032RWH/SHPRS6032LWH/SHPRS6032RWH  
SHPRW6032LWH/SHPRW6032RWH/SHPRS6032LBS/SHPRS6032RBS/SHPRESSTR/PFTLK

# AIR TUB AND WHIRLPOOL TUB

## COMPONENTS LIST

- Powerful whirlpool pump with variable flow device
- Heated blower for air bath system

## INSTALLATION

- Whirlpool and Total Massage units require dedicated 20 Amp, 120V service
- You must provide a receptacle with a 20 Amp configuration
- Electrical outlet must be mounted 4" (101mm) above the floor line and 12" max (305mm) inside from the edge of the bathtub, or in accordance with local building and electrical codes

## INTEGRATED CONTROL PANEL

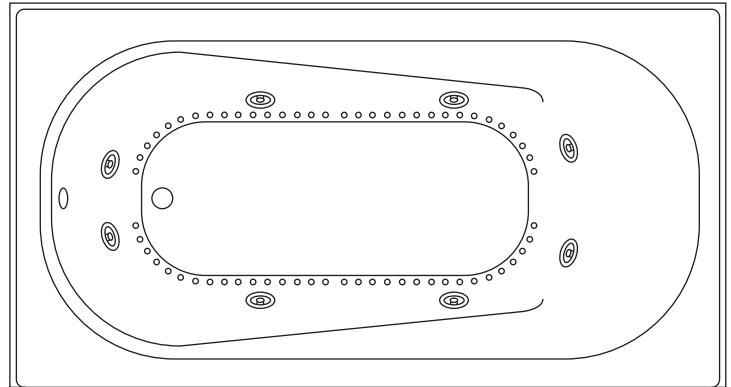
- Whirlpool Baths: Equipped with on/off switch actuator. Each depression of the switch will activate the pump
- Air Baths: Equipped with a 3-speed air switch actuator. Each depression of the switch will change the flow of air
- Total Massage Baths: Equipped with both an on/off air switch actuator for whirlpool function and 3-speed air switch actuator for air function

## INSIDE OF BATH

- (8) HIGH-FLOW DIRECTIONAL AND VOLUME-ADJUSTABLE WHIRLPOOL JETS
- (65) CHANNEL-FED AIRJETS (air bath and total massage)

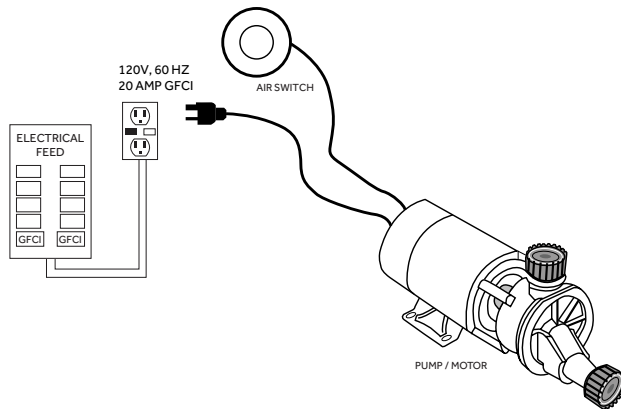


WHIRLPOOL JET

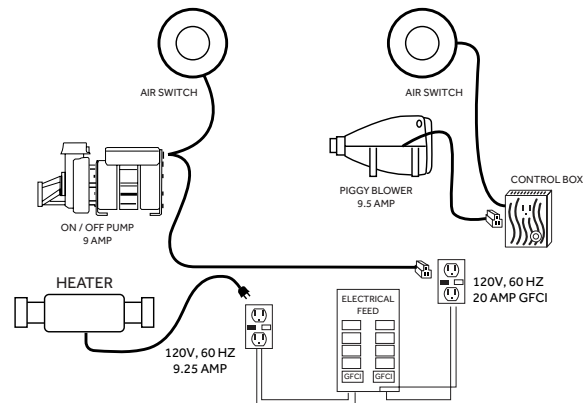


## ELECTRICAL CONFIGURATIONS

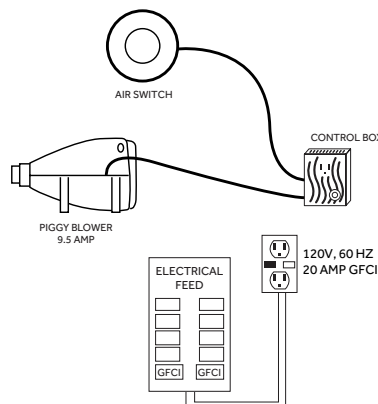
WHIRLPOOL WITH INSTALLED AIR SWITCH



TOTAL MASSAGE CIRCUIT WITH OPTIONAL HEATER



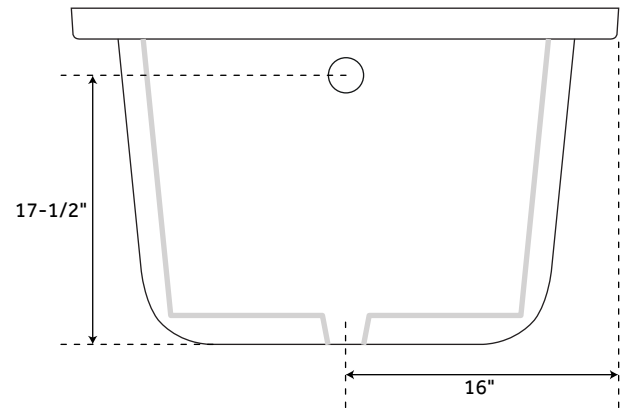
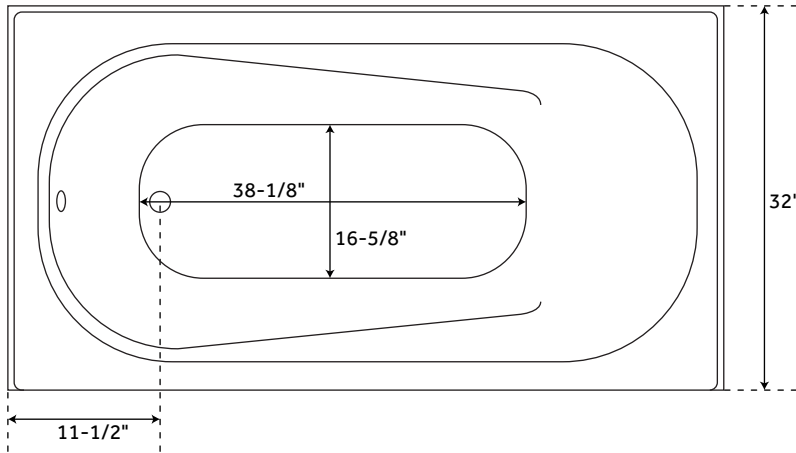
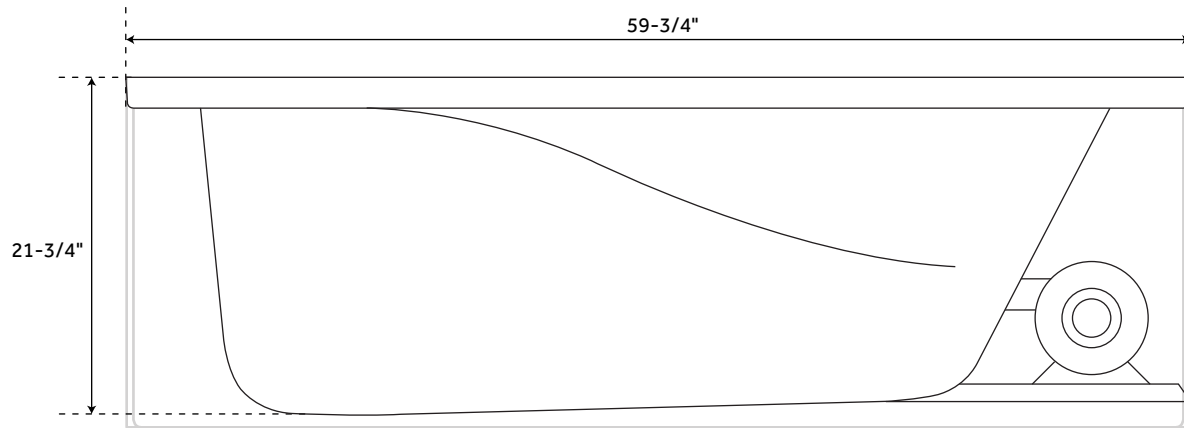
AIR BATH CIRCUIT



# 60" x 32" PROVINCETOWN

## ACRYLIC ALCOVE TUB

SKU: 948061



### FEATURES

- Product Finish: White
- Overflow Hole: Yes
- Shape: Oval
- Material: Acrylic
- Length: 72"
- Width: 42"
- Height: 21"
- Tub Interior Length: 48-1/2"
- Tub Interior Width: 27"
- Water Depth To Overflow: 17-1/2"
- Drain Included: Optional
- Drain Placement: End
- Faucet Included: No
- Water Capacity (Gallons): 65
- All dimensions ( $\pm 1/2"$ ).

### SIGNATURE HARDWARE LIFETIME WARRANTY

See website for warranty information



All dimensions and specifications are nominal and may vary. Use actual products for accuracy in critical situations.

PAGE 3