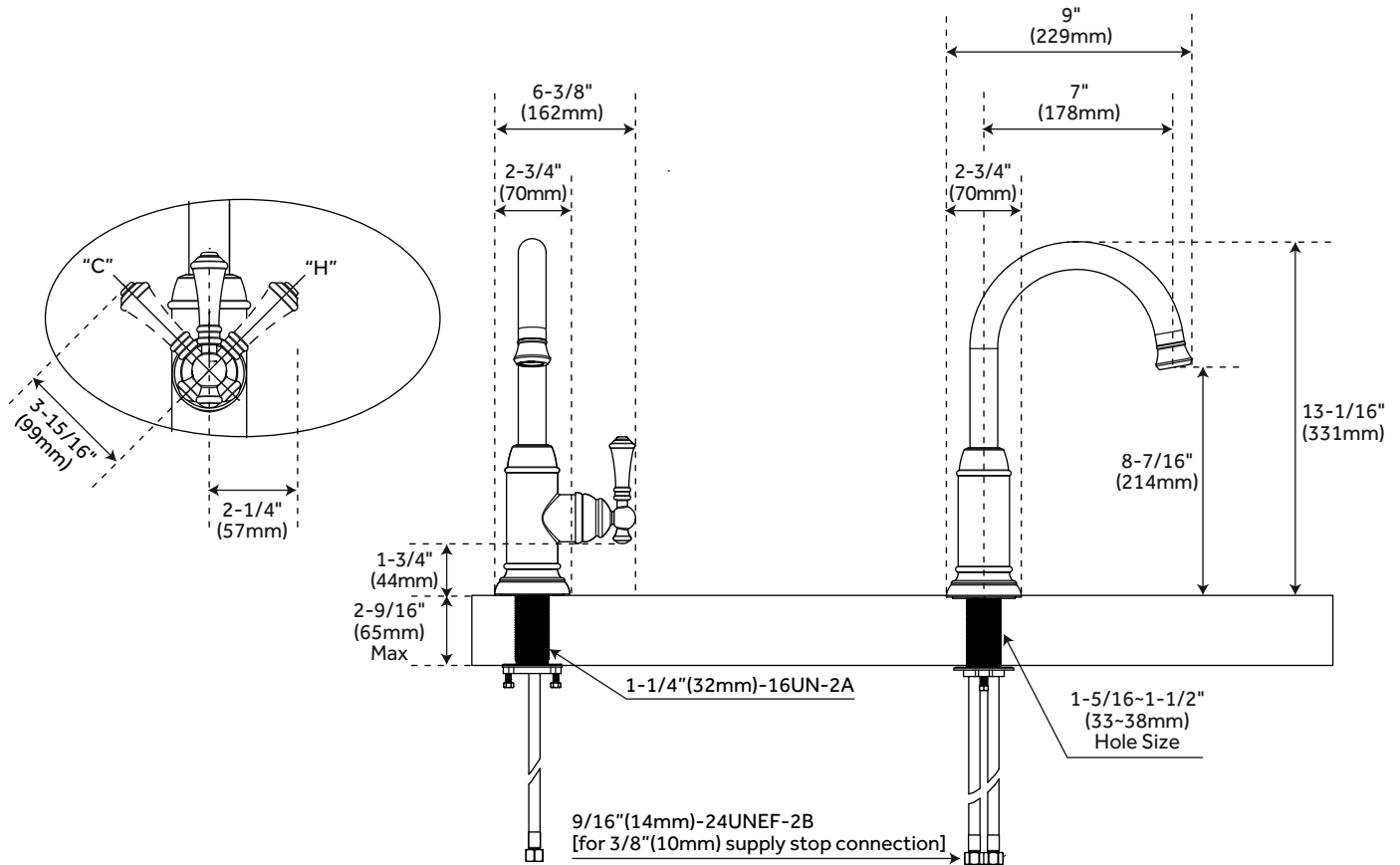


AMBERLY

SINGLE HOLE BAR FAUCET

SKU: 948522



FEATURES

Installation Type: Single-Hole
Faucet Holes: 1
Material: Brass
Max. Countertop Thickness: 2-9/16"
Handle Type: Metal Lever
Features: ADA Compliant
Design: Traditional
Faucet Material: Brass
Length: 6-3/8"
Width: 9"
Height: 13-1/16"
Height To Spout: 8-7/16"
Spout Reach: 7"
Swivel Spout: Yes
Base Plate Diameter: 2-3/4"
Handle Length: 3-15/16"
Height to Bottom of Handle: 1-3/4"
Ceramic Disc Cartridges: Yes
Hot and Cold Indicators: No
Maximum Flow Rate: 1.8 gpm (6.8L/min)
max @ 60 psi
Non-Kink Nylon Hose

CODES/STANDARDS

cUPC
ASME A112.18.1/CSA B125.1
ICC/ANSI A117.1 (when installed
according to ADA standards)
NSF/ANSI 61
NSF/ANSI 372
CEC Listed
Massachusetts Accepted



SIGNATURE HARDWARE LIFETIME WARRANTY

See website for warranty information



REVISED 01/14/2020

CODE: SHXCAM103CP/SHXCAM103ORB
SHXCAM103SS/SHXCAM103PN

All dimensions and specifications are nominal and may vary. Use actual products for accuracy in critical situations.