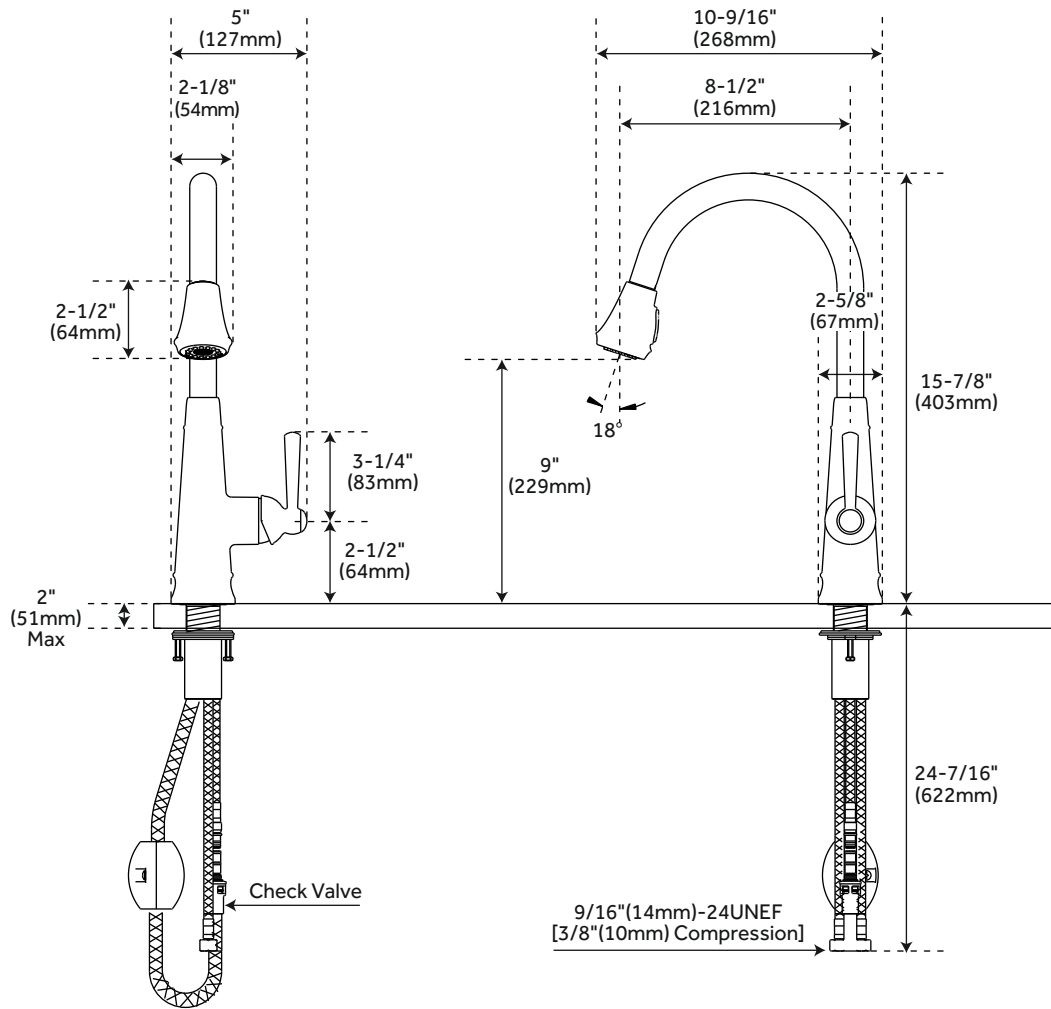


HARTFIELD

SINGLE-HOLE PULL-DOWN KITCHEN FAUCET

SKU: 948531



FEATURES

Installation Type: Single-Hole
 Faucet Holes: 1
 Handle Type: Lever
 Features: Pull-Down
 Faucet Material: Brass
 Length: 5"
 Width: 10-9/16"
 Height: 15-7/8"
 Height To Spout: 9"
 Spout Reach: 8-1/2"
 Swivel Spout: Yes
 Base Plate Diameter: 2-5/8"
 Handle Length: 3-1/4"
 Height to Bottom of Handle: 2-1/2"
 Ceramic Disc Cartridges: Yes
 Hot and Cold Indicators: No
 Maximum Flow Rate: 1.8 gpm
 (gallons per minute)
 IAPMO Certified: Yes

CODES/STANDARDS

cUPC
 ASME A112.18.1/CSA B125.1
 NSF/ANSI 61
 NSF/ANSI 372
 CEC Listed
 CALGreen
 Massachusetts Accepted



SIGNATURE HARDWARE LIFETIME WARRANTY

See website for warranty information



All dimensions and specifications are nominal and may vary. Use actual products for accuracy in critical situations.

REVISED 11/19/2019
 Code: SHXCHA101MCP/SHXCA101MSS