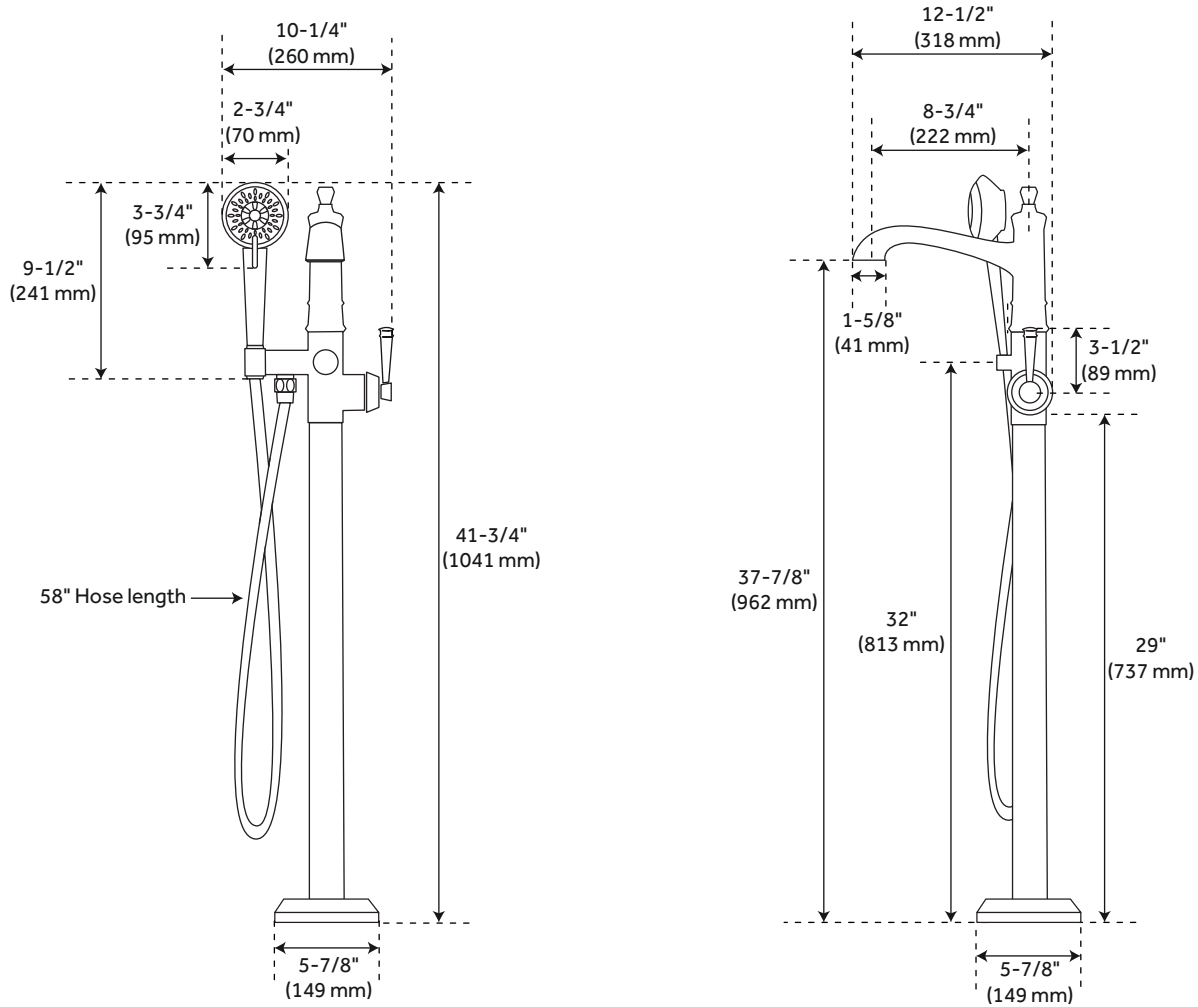


BEASLEY

FREESTANDING TUB FILLER

SKU: 948654



FEATURES

Installation Type: Freestanding
 Handle Type: Lever
 Features: Hand shower included
 Tub Faucet Material: Brass
 Length: 10-1/4"
 Width: 12-1/2"
 Height: 41-3/4"
 Height To Spout: 37-7/8"
 Height to Control Valve: 32"
 Spout Reach: 8-3/4"
 Spout Width: 1-5/8"
 Hot and Cold Indicators: No
 Drain Included: No
 Base Plate Diameter: 5-7/8"
 Ceramic Disc Cartridges: Yes
 Hand Shower Hose Length: 58"

CODES/STANDARDS

cUPC
 ASME A112.18.1/CSA B125.1
 ASME A112.18.3
 ICC/ANSI A117.1 (when installed according to ADA Standards)
 WaterSense
 CEC Listed
 Massachusetts Accepted

SIGNATURE HARDWARE LIFETIME WARRANTY

See website for warranty information



REVISED 12/05/2019
 Code: SHBEFS2000GBN
 SHBEFS2000GPN
 SHBEFS2000GCP

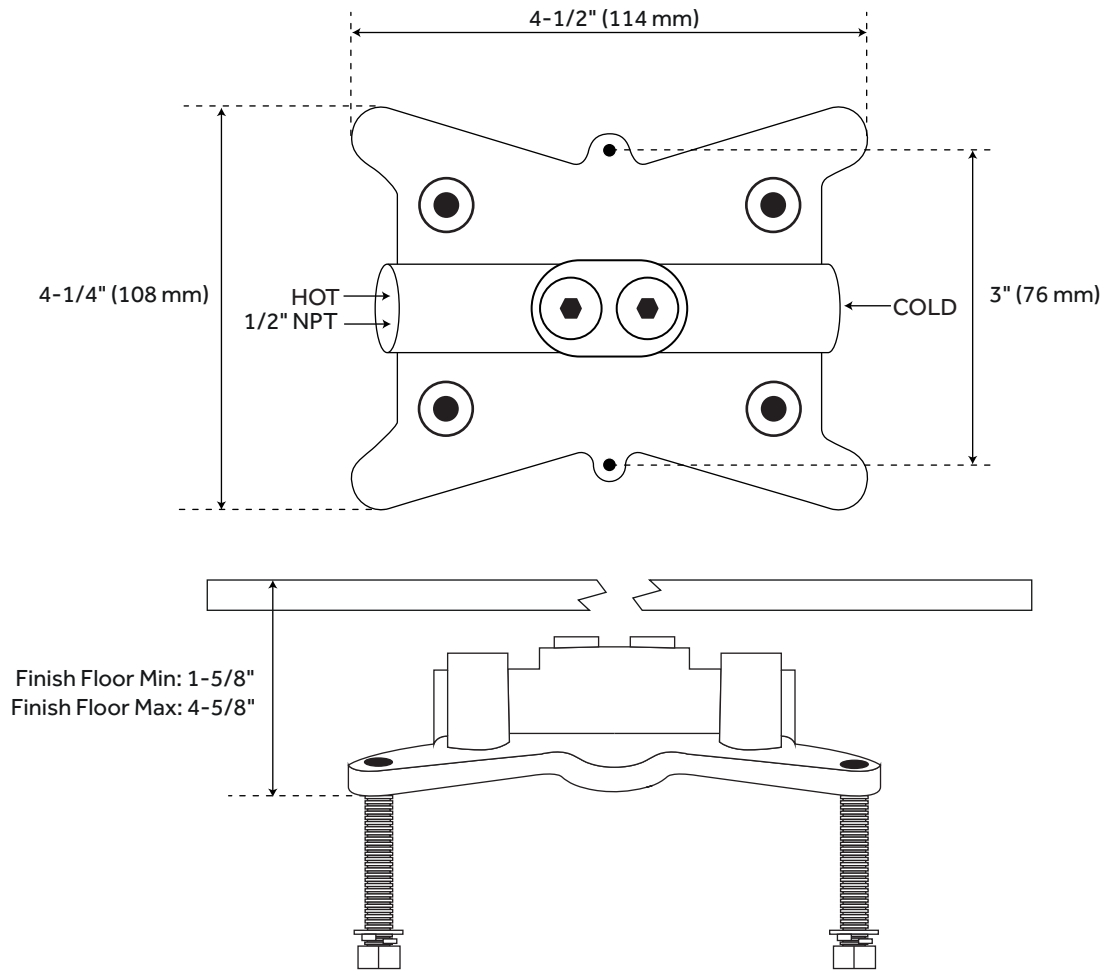


All dimensions and specifications are nominal and may vary. Use actual products for accuracy in critical situations.

FREESTANDING

TUB FAUCET ROUGH-IN VALVE

SKU: 446521



FEATURES

Material: Brass
Length: 3-1/2"
Width: 3-5/8"
Height: 5-1/8"
Finish Floor Min: 1-5/8"
Finish Floor Max: 4-5/8"
NPT Connection: 1/2"

CODES/STANDARDS

cUPC
ASME A112.18.1/CSA B125.1
Massachusetts Accepted

SIGNATURE HARDWARE LIFETIME WARRANTY

See website for warranty information



All product dimensions are nominal.

REVISED 12/05/2019
CODE: SHFSR2000WS